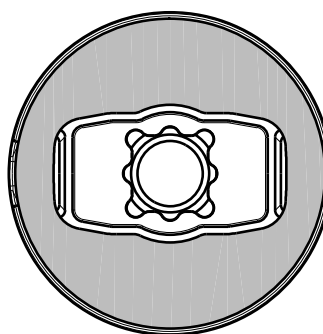
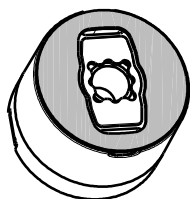
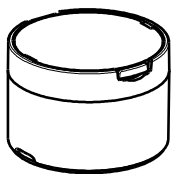


D

C

B

A



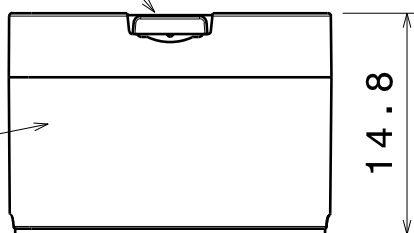
Isometric view

Bottom view

F10451 LE1-RS

F11935 Leila Holder LXM

F12078 Leila-tape, 0,4mm



14.8

Front view

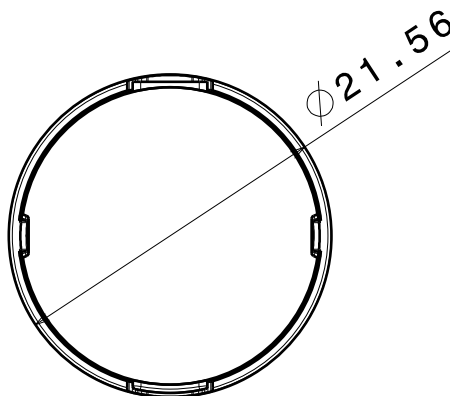
Material:

- Lens PMMA
- Holder PC, BLACK
- Tape Acrylic foam

Tolerances if not otherwise shown:
According to DIN ISO 2768-1
Linear measures:
Up to 30mm class F, otherwise class M.

According to DIN ISO 2768-2
Form and position:
class K

Control for SPC marked dimensions.



21.56

Top view

This drawing is our property.
It can't be reproduced
or communicated without
our written agreement.



Ledil Oy
Salorankatu 10
FIN 24240 SALO
Finland

DRAWING TITLE

Drawing LXM_RS Assembly

DRAWN BY

DATE

mav

04.11.2011

CHECKED BY

DATE

pv

04.11.2011

SIZE

A4

DRAWING NUMBER

FA11937

REV

1

DESIGNED BY

DATE

hh/mav

30.12.2010

SCALE

1:1

WEIGHT (g)

SHEET

1/1

D

A